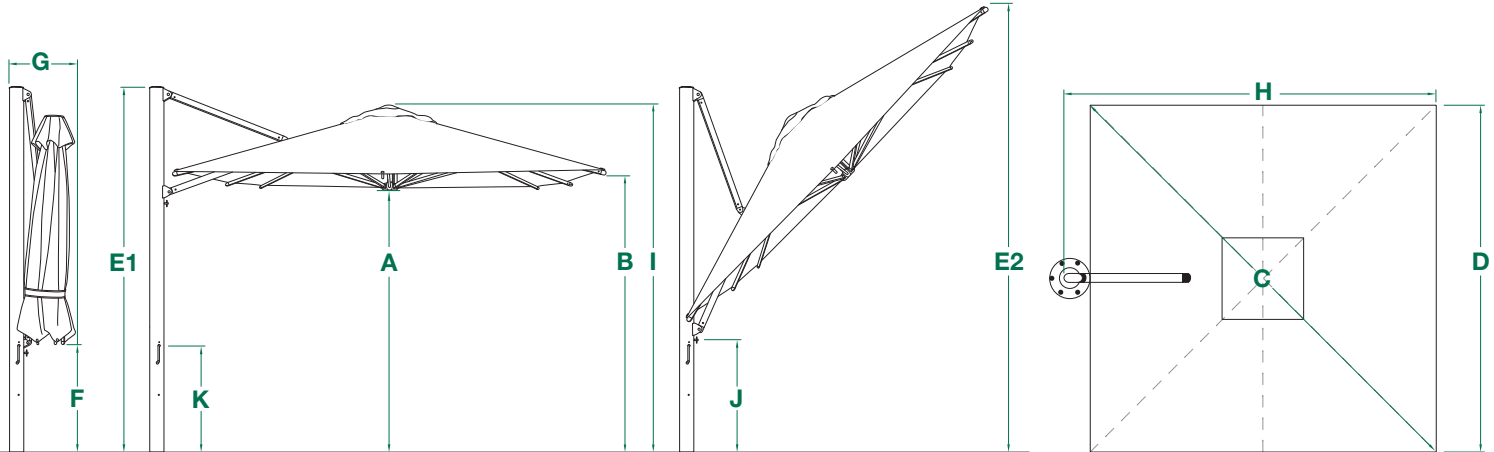
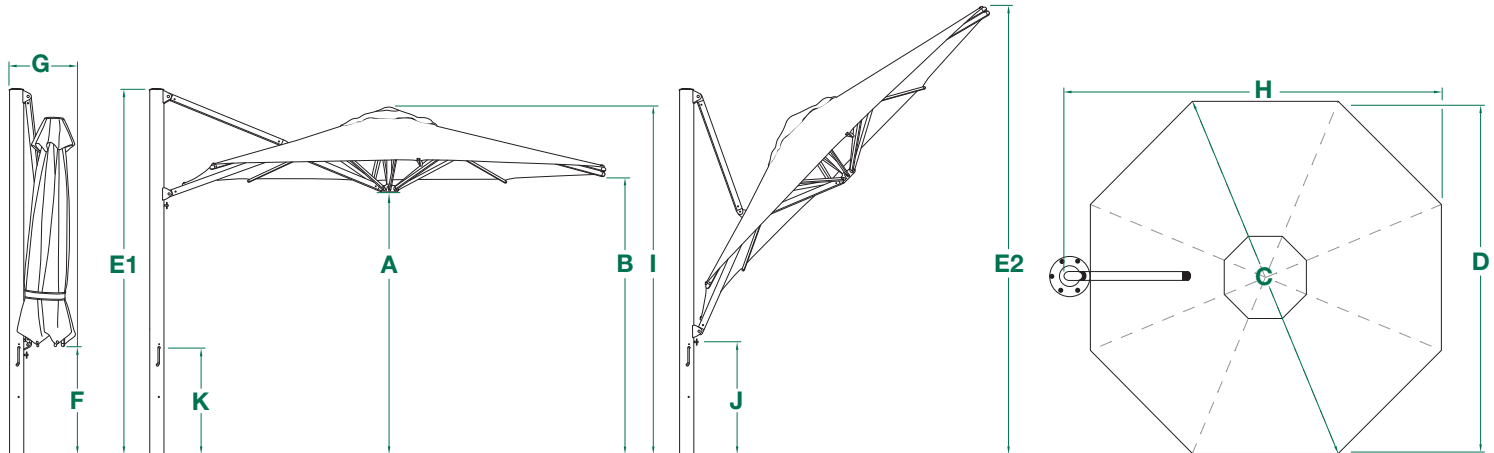


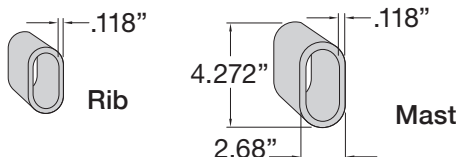
SQUARE SIZES



OCTAGON SIZES



Key	Description	SR-27S SQUARE 8' 9" 2.7m	SR-30S SQUARE 9' 9" 3.0m	SR-30 OCTAGON 9' 9" 3.0m	SR-35 OCTAGON 11' 5" 3.5m
A	Lower Hub HEIGHT (Open)	6' 4"	6' 3"	6' 6"	6' 8"
B	Rib End HEIGHT (Open)	6' 8"	6' 8"	6' 11"	7'
C	Canopy LENGTH (Diagonal)	12' 6"	13' 11"	8' 10"	10' 2"
D	Canopy WIDTH	8' 9"	9' 9"	9' 9"	11' 5"
E1	HEIGHT To Mast Top	8' 9"	9'	8' 11"	8' 11"
E2	Overall HEIGHT (Max Tilt)	13' 9"	14' 7"	12' 5"	12' 11"
F	Rib End HEIGHT (Closed)	2'	1' 7"	3' 5"	2' 10"
G	Mast End to Canopy Edge (Closed)	1' 8"	1' 8"	1' 8"	1' 8"
H	Mast End to Canopy Edge (Open)	9' 11"	11'	10' 5"	11' 9"
I	HEIGHT to Canopy Top (Open)	8' 5"	8' 5"	8' 5"	8' 5"
J	HEIGHT to Slider Car (Max Tilt)	3' 1"	3' 1"	3' 2"	2' 10"
K	HEIGHT to Crank Handle	2' 11"	2' 11"	2' 11"	2' 11"



Mast is 2.68" x 4.272" and .118" thick.
Rib thickness is .118".